



# loc-n-go

locngo.com



Offering both shared and designated use capabilities, loc-n-go provides flexible storage options that easily adjust to your client's changing needs. As our most versatile lock, it ensures enhanced and simplified security for any storage solution.

Blending superior construction with state-of-the-art security elements, loc-n-go adapts seamlessly to the most demanding settings. Easy to manage and intuitive, our locking solutions transform spaces, boosting flexibility and encouraging collaboration.

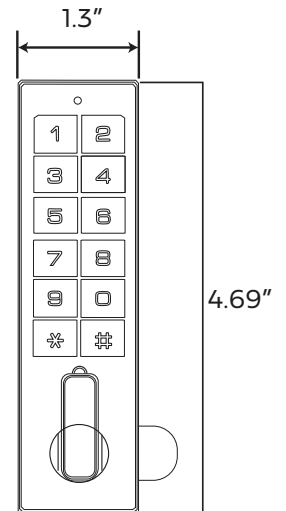
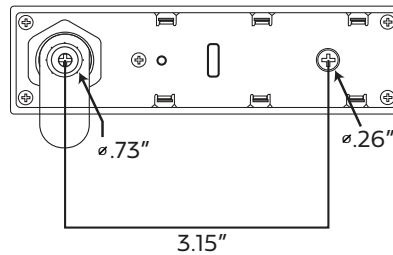
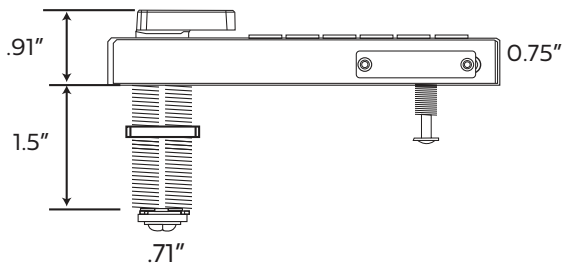


## Key Features

- 2 color options: Black & Satin Nickel
- 5 year estimated battery life
- Life time product support
- Slim profile
- All metal housing
- Available in Vertical and Horizontal orientations
- Multiple latching options

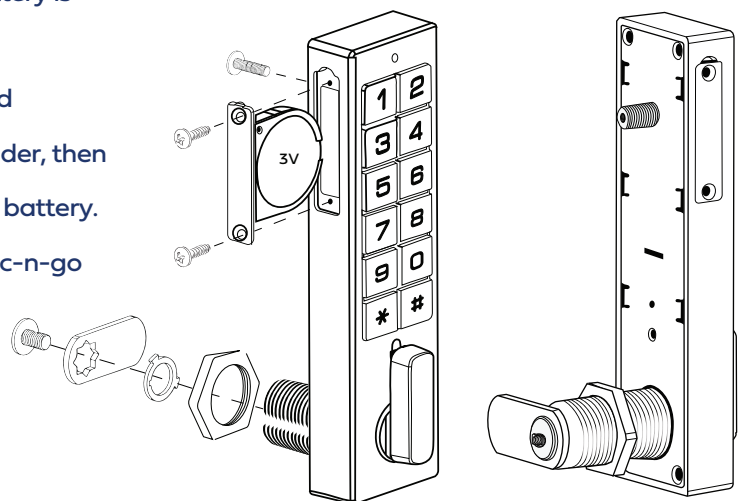
# Product Dimensions & Installation

- Designed for both new or retrofit installations
- Adaptable to various materials and thicknesses
- 90° or 180° lever rotation, clockwise or counter-clockwise to unlock- remove
- Easily retrofits by replacing mechanical lock cores



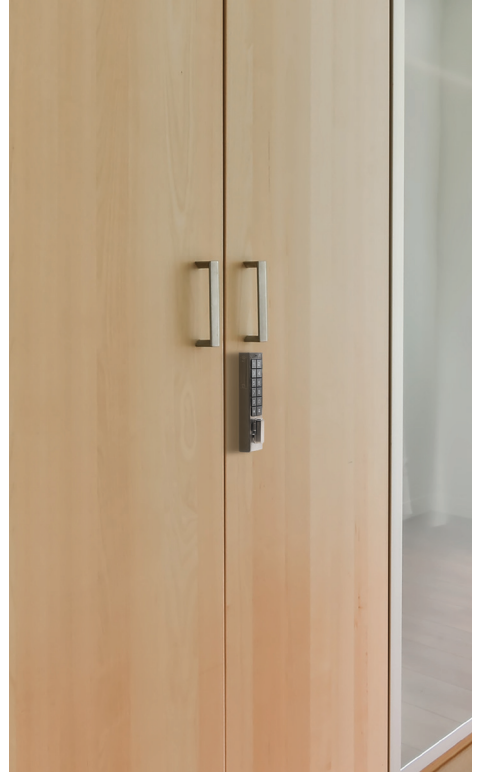
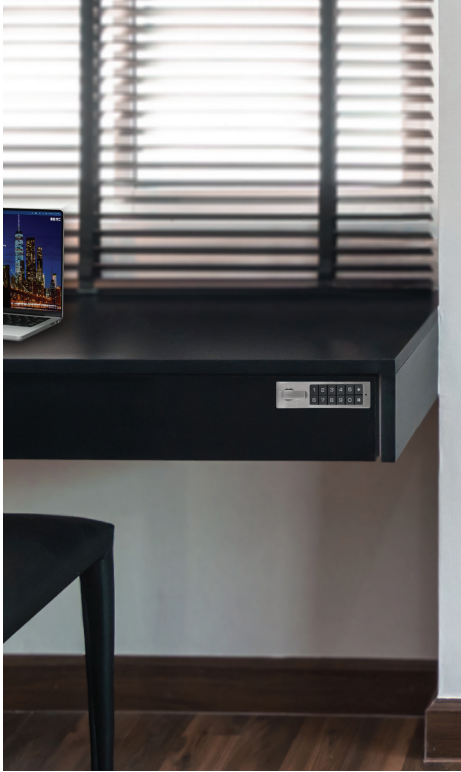
# Battery Installation & Replacement

The lock is provided with a 3V lithium cell battery. The battery is isolated by a sheet to avoid battery consumption during transportation. For initial use, employ a small Phillips head screwdriver to loosen the two screws from the battery holder, then remove the isolation tab to establish a connection for the battery. Tighten the battery compartment screws back into the loc-n-go and your lock will be fully functioning.





exclusively by  
**M** MORMAX



## Question? Contact Us Today!

Mormax is committed to keeping up with the latest trends to provide a variety of quality products for your business to help you create an inspiring and unique atmosphere. Contact the skilled professionals at Mormax for the best in customer service and for highly effective purchasing solutions and branding strategy.

**914-699-0101 • [sales@mormax.com](mailto:sales@mormax.com)**