

Features & Benefits

- Powered by Lithium cell or alkaline battery
- 90° or 180° lever rotation
- Clockwise or counter clockwise lever rotation
- All metal housing in black
- Operate with pin code
- Alarm for 4 error attempts
- Vertical Orientation
- Top sided number pad
- External power back up
- Designated for both new and retrofit installations
- Adaptable to various materials and thicknesses

Color Options



Black



Satin Nickel



Gold



Antique Bronze



Brushed Copper



Shown in Black

Product Information

Product Number

KD830R1BK

Warranty

2 Years

Dimensions (L*W*H)

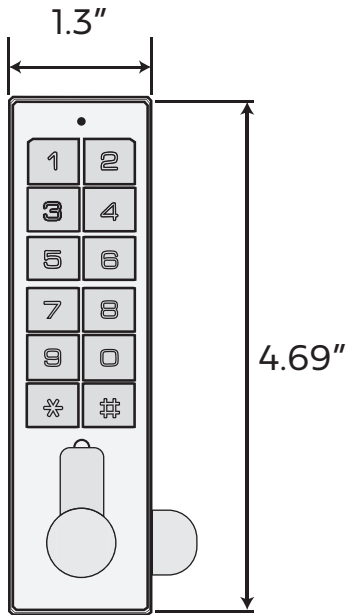
4.69" x 1.3" x 0.19"

Battery

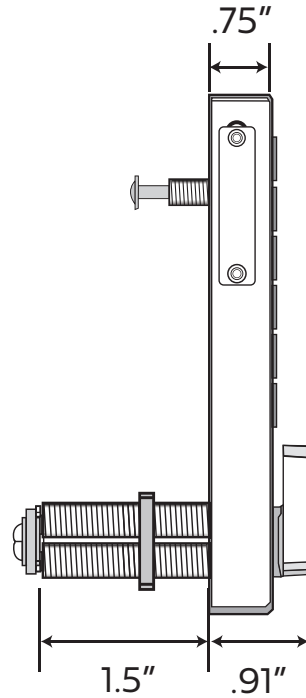
3V lithium cell battery



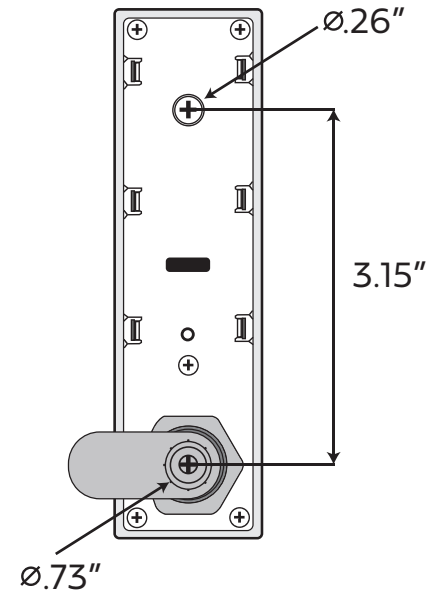
Front View



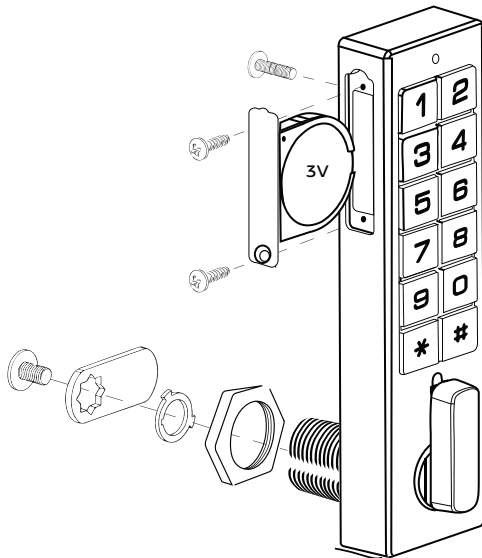
Side View



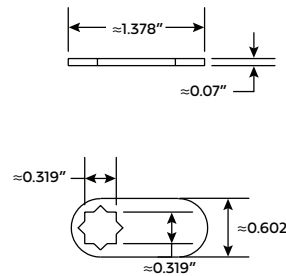
Back View



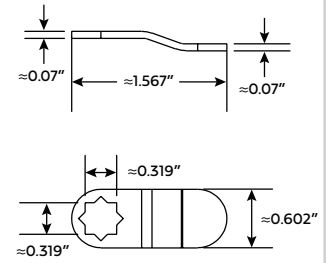
Battery View
(Disassembled)



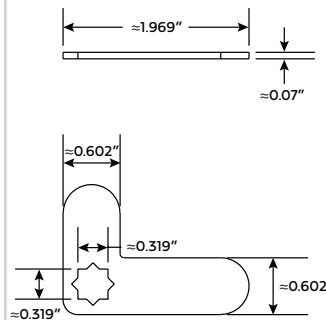
Latch Option 1



Latch Option 2



Latch Option 3



Latch Option 4

