

Features & Benefits

- Powered by Lithium cell or alkaline battery
- 90° or 180° lever rotation
- Clockwise or counter clockwise lever rotation
- All metal housing in brushed copper
- Operate with pin code
- Alarm for 4 error attempts
- Vertical Orientation
- Top sided number pad
- External power back up
- Designated for both new and retrofit installations
- Adaptable to various materials and thicknesses

Color Options

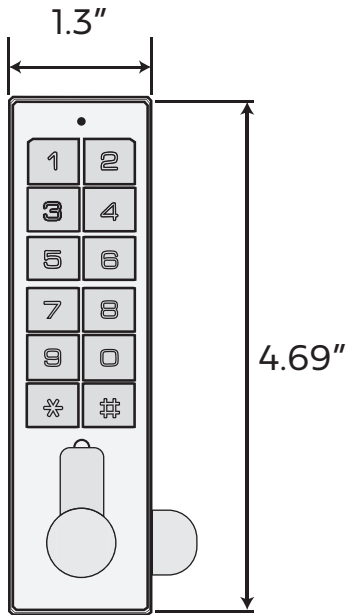


Shown in Brushed Copper

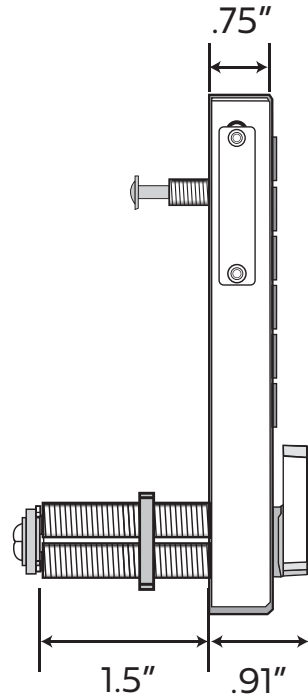
Product Information

Product Number	KD830R1BC	Warranty	2 Years
Dimensions (L*W*H)	4.69" x 1.3" x 0.19"	Battery	3V lithium cell battery

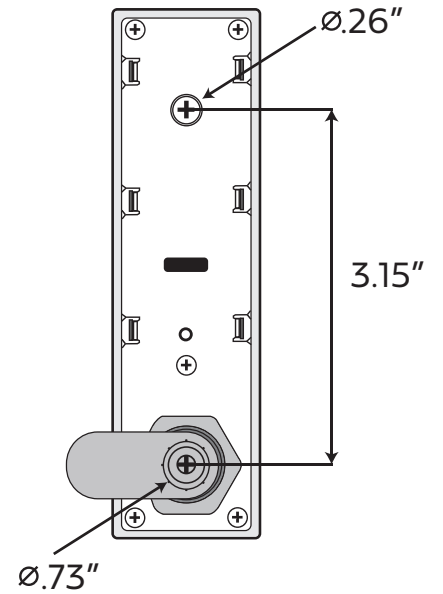
Front View



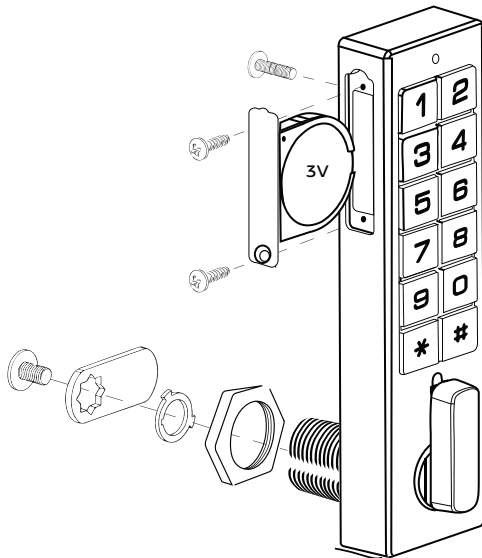
Side View



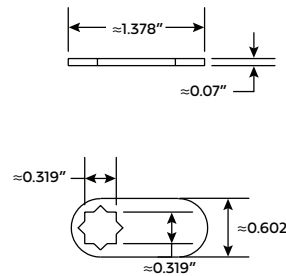
Back View



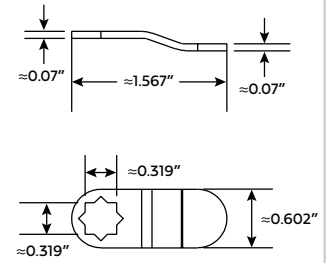
Battery View
(Disassembled)



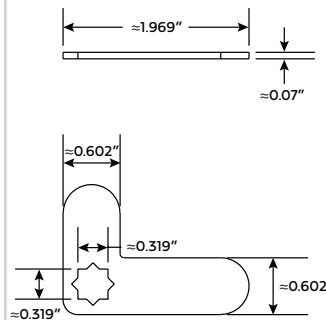
Latch Option 1



Latch Option 2



Latch Option 3



Latch Option 4

